

## LIGHTING REGULATIONS

### 154.350 INTENT.

The lighting regulations contained in this subchapter are intended to provide for the erection, design, or placement of outdoor light fixtures which: provide for illumination levels on individual lots which are adequate for the safe and efficient movement of individuals or vehicles to and from a lot and within a lot (i.e., areas that are dangerous if unlit, such as stairs, intersections or changes in grade); are designed to protect against the spillover of light onto abutting properties which may negatively impact occupants of abutting properties; and, are designed to protect against objectionable glare onto public rights-of-way which may impair the vision of motorists.

*(Ord. 51-05, § 8.08.02, passed 5-10-2005)*

### 154.351 GENERAL REQUIREMENTS.

All outdoor light fixtures on a lot shall comply with the following regulations:

(A) *Applicability.* The lighting regulations contained in this subchapter, unless specifically stated otherwise, are applicable only to any: residential district for a multifamily project, any special use or any nonresidential use; commercial business district; industrial district; planned unit development district; or, special use district contained in this chapter.

(B) *Minimum setback.* A freestanding outdoor light fixture may be located within a required front yard, side yard or rear yard, provided that the freestanding outdoor light fixture is located adjacent to the interior edge of such yard and adjacent to a permitted driveway, parking area, interior access drive, interior access driveway, or other outdoor use area requiring illumination.

(C) *Lighting standards.* Outdoor light fixtures shall comply with the standards set forth in Table 154-3: Lighting Standards.

(D) *Mounting of fixtures (except in industrial districts).* Full cutoff, cutoff and semi-cutoff outdoor light fixtures shall be mounted parallel to the ground and shall utilize a rigid mounting arm with no built-in uptilt and no adjustment feature.

(E) *Height of fixtures.* All outdoor light fixtures used to illuminate a particular area on a lot (i.e., a parking area; a loading area; or, an entry way, sidewalk or walkway areas) shall, within those areas, be of uniform size, design and height.

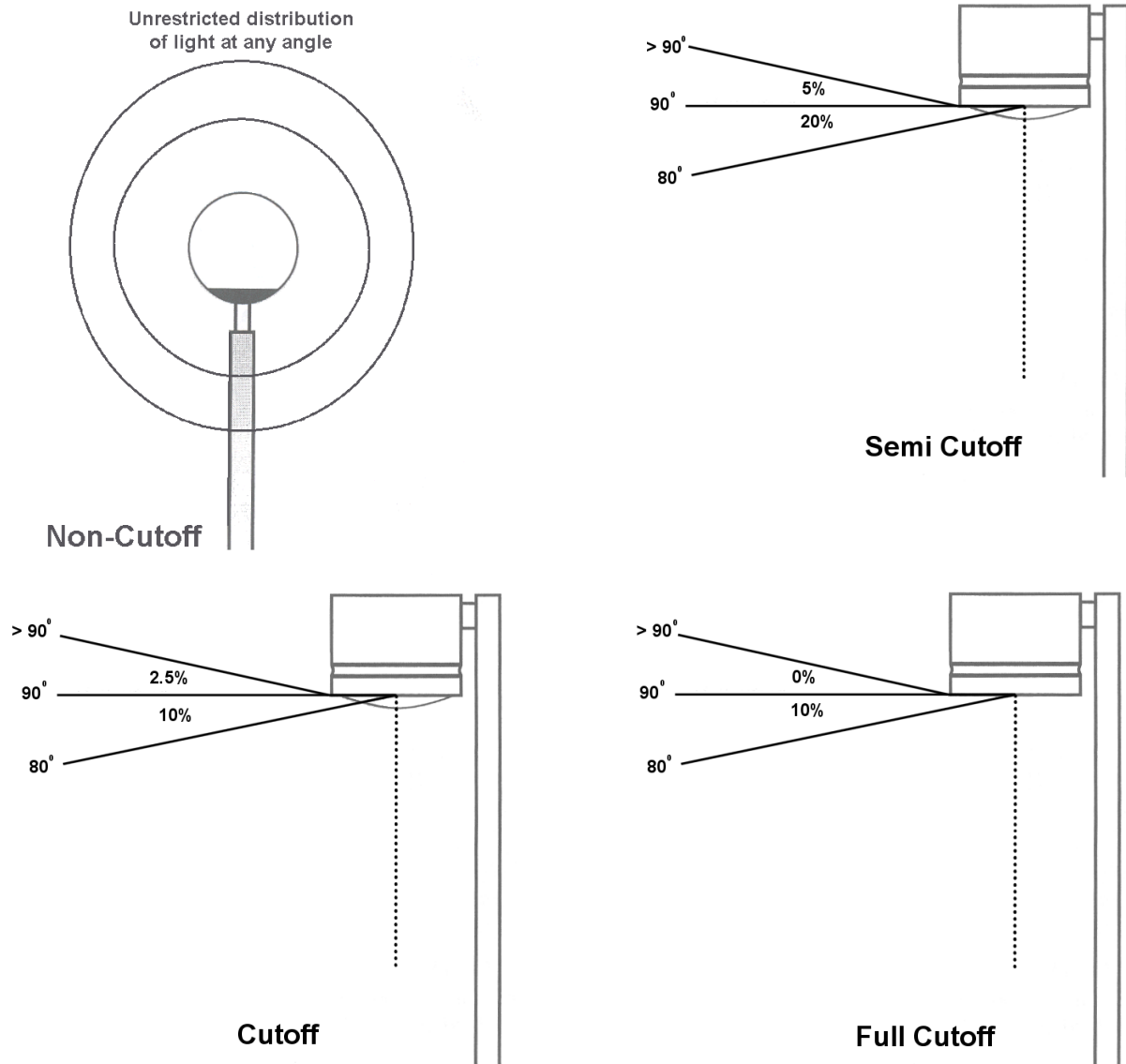
**CHAPTER 154: PLANNING AND ZONING**

**Lighting Regulations**

**Table 154-3: Lighting Standards**

<i>District</i>	<i>Type of Fixture</i>	<i>Maximum Combined Height of Pole and Base</i>	<i>Maximum Wattage</i>
<i>All Districts</i>	Non-cutoff (1)	20 feet	100
	Semi-cutoff	30 feet	400
	Cutoff	35 feet	400
	Full cutoff	40 feet	1,000

(1) Non-cutoff outdoor light fixtures shall be limited to locations along walkways, driveways, interior access drives, interior access driveways and outdoor seating areas.



(F) *Power supply.* Outdoor light fixtures located on light poles shall be provided power by underground wiring.

(G) *Wall pack lights.* Wall pack outdoor light fixtures shall be subject to the following regulations:

(1) Except in Industrial Districts, wall pack outdoor light fixtures located on a front or side elevations of a building or structure shall be full cutoff.

(2) In all commercial/business or industrial districts, wall pack outdoor light fixtures oriented toward a residential district or use shall be full cutoff.

(3) Low intensity (i.e., 100 watts or less), architectural style wall pack outdoor light fixtures (which may be cutoff, semi cutoff or non cutoff) may be used to accent architectural elements of the building or structure or to illuminate entrance areas.

(H) *Vehicular Canopy Light Fixtures.* Outdoor light fixtures located under a vehicular canopy of drive through structures (e.g., gasoline service station canopies, bank drive through canopies, etc.) shall be full cutoff fixtures with a maximum intensity of 400 watts.

(I) *Awning and canopy lighting.* Awnings and canopies used for building accents over doors, windows, walkways, and the like, may be internally illuminated or back-lit (i.e., lit from underneath or behind) provided, however, that the primary material is opaque and that translucent material is limited to the actual text or logo of the sign, if any, incorporated into the awning or canopy.

(J) *Glare on public right-of-way.* Flag and statue lights, architectural lights, floodlights, or sign lighting shall be so directed and shielded that the light element is not visible from any point along an adjacent public right-of-way.

(K) *Floodlights.* Outdoor light fixtures equipped with floodlights may only be permitted on a lot as follows:

(1) Floodlights shall be focused on the primary building or the area of the lot located between the floodlight and the primary building; or,

(2) Floodlights shall be shielded to the extent that the main beam from the luminaire is not visible from or causes any glare onto adjacent properties or rights-of-way.

(L) *Lighting plans.* The following information, at a minimum, shall be provided for all lighting plans submitted in connection with an application for an improvement location permit:

(1) A site plan which includes the outline of buildings, structures and other improvements (e.g., parking areas, loading areas, interior access drives, etc.) on the lot and the location of all outdoor light fixtures;

**CHAPTER 154: PLANNING AND ZONING**  
**Lighting Regulations**

---

(2) A description of the outdoor light fixtures, including but not limited to manufacturers or electric utility catalog specifications sheets, drawings or photometric report, which indicate:

- (a) The outdoor light fixture classification (e.g., cutoff, semi-cutoff, full cutoff, or non-cutoff);
- (b) Mounting height of freestanding outdoor light fixtures; and,
- (c) Wattage proposed for each outdoor light fixture.

*(Ord. 51-05, § 8.08.02A, passed 5-10-2005) Penalty, see § 154.999*

**154.352 SPECIAL REGULATIONS FOR SPORT AND ATHLETIC FIELD LIGHTS.**

(A) Notwithstanding anything in this chapter to the contrary, the following special regulations shall apply to sport and athletic field lights.

(B) Freestanding outdoor light fixtures for sport and athletic fields:

- (1) Shall not exceed one-hundred and ten (110) feet in height above grade; and,
- (2) Shall be of a type and manufacturer that offers a spill and glare control package and shall be fitted with the manufacturer's spill and glare control package.

*(Ord. 51-05, § 8.08.02B, passed 5-10-2005) Penalty, see § 154.999*

**154.353 EXEMPT LIGHTS.**

The following shall be exempt lights.

- (A) *Holiday decorations.* Outdoor light fixtures used for holiday decorations.
- (B) *Public lighting.* All outdoor light fixtures originating from public areas and ways, including but not limited to parks, rights-of-way, public art or other public facilities, that are installed for the benefit of the public health, safety and welfare.
- (C) *Fossil fuel lights.* All outdoor light fixtures producing light directly from the combustion of fossil fuels (i.e., kerosene lanterns or gas lamps).
- (D) *Construction/emergency lighting.* All outdoor light fixtures provided in connection with construction work or the abatement of an emergency situation necessitating said lighting, provided that the use of such outdoor light fixtures are discontinued during hours when construction activity or emergency abatement is not in progress and that such outdoor light fixtures are removed upon completion of the construction activity or the abatement of the emergency.

(E) *Internal illumination of signs.* All outdoor light fixtures which are completely enclosed within a sign cabinet and which provide illumination only for a sign face.

(F) *Single family dwelling or two family dwelling lots.* All outdoor light fixtures used for the illumination of personal property, provided, however, that such outdoor light fixtures shall be subject to § 154.073(B)(7) regarding glare.

*(Ord. 51-05, § 8.08.02C, passed 5-10-2005)*

#### **154.354 TEMPORARY LIGHTS.**

(A) *Temporary lights permitted.*

(1) The following types of outdoor light fixtures may be approved on a temporary basis by the Zoning Administrator prior to placement or use.

(a) *Civic events.* Temporary outdoor light fixtures used for civic events.

(b) *Special events.* Temporary outdoor lighting fixtures for such activities as circuses, fairs, carnivals, sporting events, and the like.

(2) The temporary lights shall not be installed more than 30 days prior to the civic event or special event and shall be removed not more than 15 days after the civic event or special event.

(B) *Searchlights.* Notwithstanding anything contained in § 154.355 of this subchapter to the contrary, temporary outdoor light fixtures used in connection with a civic event or special event may include one portable, rotating searchlight provided, however, that such temporary outdoor light fixture:

(1) Shall not be permitted for more than three occurrences during a calendar year;

(2) Shall not be used for a period of more than two consecutive days during a civic event or special event;

(3) Shall not be operated between the hours of 12:00 midnight and 8:00 a.m.; and,

(4) Shall otherwise comply with all other applicable provisions of this chapter.

*(Ord. 51-05, § 8.08.02D, passed 5-10-2005)* Penalty, see § 154.999

#### **154.355 PROHIBITED LIGHTS.**

(A) *Flashing lights.* Any lights that flash, move, revolve, rotate, scintillate, blink, flicker, vary in intensity or color, or use intermittent electrical pulsation.

## CHAPTER 154: PLANNING AND ZONING

### Lighting Regulations

---

(B) *Floodlights.* Floodlights not in compliance with the regulations set forth above, or other form of outdoor light fixtures not specifically authorized by this chapter (including but not limited to stringer lights), that are ground mounted or attached to light poles, and used to illuminate the site, buildings or structures.

(C) *Outdoor strings of lights.* Outdoor strings of lights, including but not limited to those used to outline lot lines or outdoor display areas, provided, however, outdoor strings of lights may be allowed when complying with § 154.353(A).

*(Ord. 51-05, § 8.08.02E, passed 5-10-2005) Penalty, see § 154.999*